

May 13, 2022

*MIDDLETON ASSOCIATES INCORPORATED
1702 W. COLLEGE AVE., SUITE E
NORMAL, IL 61761-2793
309/452-1271 FAX 309/454-8049*

ADDENDUM NUMBER 1
TO THE DRAWINGS AND SPECIFICATIONS

PROJECT: McLean County Unit District No. 5 Oakdale Elementary School Lobby Remodel for Increased Security – Phase One

FOR: McLean Co. Unit District No. 5
1809 W. Hovey Ave.
Normal, IL 61761

A/E PROJECT NO: 26062322A

ISSUE DATE: May 5, 2022

BID OPENING: Friday, May 20, 2022, 1:00 p.m. prevailing time
Maintenance Office, 1999 Eagle Road, Normal, IL 61761

THIS ADDENDUM DOES NOT CHANGE THE BID DATE OR BID TIME.

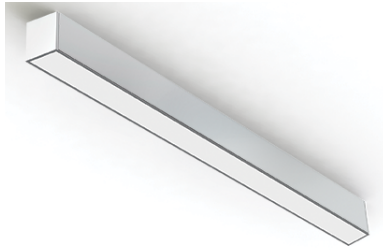
Upon receipt of this ADDENDUM, insert same into the documents, which were issued to you. Hereafter, said ADDENDUM shall be as much a part of the said documents as though originally set forth therein. THIS ADDENDUM DOES NOT CHANGE THE BID DATE.

1. TO THE SPECIFICATIONS, Section 26 0920, Electrical Fixtures; Paragraph 1.01.A: Replace with new sheet ME-1. The new fixture is essentially the same as specified with current (2022) technical description.
2. TO THE SPECIFICATIONS, Section 08800, Glazing; Paragraph 1.1.A.1.b and Paragraph 2.1.A and 2.1.D are modified to indicate that 1” acrylic level 1 will be satisfactory to use in this project. Also, Paragraph 2.1.B is to be deleted.
3. TO THE DRAWINGS SHEET, A-1 Demolition Plan: The removal of the floor chase on the west wall will be taken out from the Base Bid documents. This work will be done on T&M basis by Ideal Environmental, or the Contractor awarded the contract may be requested to perform exploratory work on the chase, on a T&M basis.

Attachment: Addendum 1, Sheet ME-1

END ADDENDUM NO. 1

MARK ARCHITECTURAL LIGHTING™



Slot 4 LED Surface Mount

The Slot LED family of luminaires offers an unparalleled package of performance and features for your next lighting project. Precision lumen DIRECTIR optics deliver optimized light where needed for ceilings and walls. With other key features such as simplified installation, seamless controls integration and superior LED color constancy, the Slot LED family from Mark Lighting offers exceptional quality and design flexibility.

Type:

Project:

Catalog Number:

- L1:** S4LS LLP 5FT MSL5 80CRI 35K 800LMF NODIM MVOLT WHT
L2: S4LS LLP 7FT MSL5 80CRI 35K 800LMF NODIM MVOLT WHT

Specification Features

Housing

Nominal 3.5" x 3.75" extruded aluminum housing

Finish

White, Black or Silver powdercoat

Reflector

Formed steel with high reflectance white.

Distribution/Shielding

Extruded 90% transmissive acrylic lens with a textured surface providing diffuse illumination and a uniform appearance for direct lambertian distribution (No Optics). Wall Wash (WW) and Wall Graze (WG) distribution options incorporate co-extruded lenses. Shielding is available as an external blade louver for WW or WG options, or an internal blade louver in lieu of lambertian distribution diffuser.

LED Components

Linear: Nichia®- 757 series LED chips (>80 CRI)

Electrical

Long-life LEDs, coupled with high-efficiency drivers, provide superior quantity and quality of illumination for extended service life. 80% LED lumen maintenance at 60,000 hours (L80/60,000).

Color Consistency

The Acuity Brands circuit boards for the linear LED components use a precise binning algorithm which creates a consistent color temperature from board to board. The color a variation of no greater than a 2.5 Step MacAdam (2.5SDCM) along the black body locus from board to board.

Driver

Factory tuned constant current electronic dimming driver is standard. Flicker free dimming available down to <1%. LED drivers perform within the recommended operating areas for flicker as a function of frequency and modulation (%) IEEE Standard 1789 2015 (IEEE Recommended Practices for Modulating Current in High-Brightness LEDs for Mitigating Health Risks to Viewers), in typical operating conditions at representative dimming levels. Electrical specifications at maximum driver load: PF > 0.9 and THD <20%. Meets FCC Title 47 Class A or Class B. Other available drivers include Lutron, DMX and DALI protocol drivers.

Certification

CSA tested to UL 1598 standards, assembled in the USA. Damp location listed.

Listings

DesignLights Consortium® (DLC) Premium qualified product. Not all versions of this product may be DLC Premium qualified. Please check the DLC Qualified Products List at www.designlights.org/QPL to confirm which versions are qualified.

Warranty

5-year limited warranty. Complete warranty terms located at: www.acuitybrands.com/support/warranty/terms-and-conditions

Note: Actual performance may differ as a result of end-user environment and application.

All values are design or typical values, measured under laboratory conditions at 25 °C.

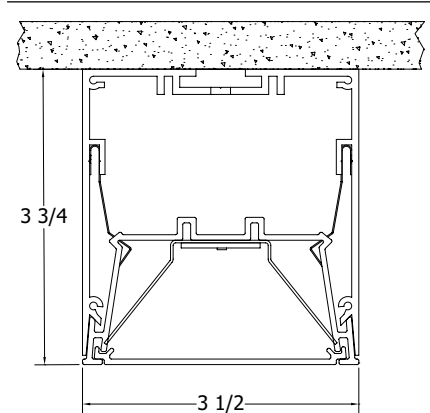
Specifications subject to change without notice.

Fixture Performance

4FT INDIVIDUAL (35K)	DIRECT			
	400LMF	600LMF	800LMF	1000LMF
Delivered Lumens	1800	2707	3571	4103
Input Watts	15.4	23.4	32	37.3
Lumen/Watt	117	115	112	110

*Consult factory for customized lumen output and wattage between 350LMF and 1050LMF.

Technical Drawing



Direct Surface



eldoLED
your product | our drive

Declare.



Buy American



nLIGHT

Buy American:

Product with the BAA option is assembled in the USA and meets the Buy America(n) government procurement requirements under FAR, DFARS and DOT. Please refer to www.acuitybrands.com/buy-american for additional information.

A+ Capable Luminaire

This item is an A+ capable luminaire, which has been designed and tested to provide consistent color appearance and out-of-the-box control compatibility with simple commissioning.

- All configurations of this luminaire meet the Acuity Brands' specification for chromatic consistency
- This luminaire is part of an A+ Certified solution for nLight® control networks when ordered with drivers marked by a **shaded background***
- This luminaire is part of an A+ Certified solution for nLight control networks, providing advanced control functionality at the luminaire level, when selection includes driver and control options marked by a **shaded background***

To learn more about A+, visit www.acuitybrands.com/aplus.

*See ordering tree for details

Ordering

Example: S4LS 32FT MSL8 90CRI 40K 1000LMF DARK EGLD 120 WHT ZT

Series	Plan	Total Run Length	Max Section Length	Direct Light Source Color Rendering	Direct LED Color Temp	Direct LED Light Output	Direct Distribution (Optics)
S4LS Slot 4 Surface - Direct	LCB Linear center balanced LLP Linear longest possible	_FT Specify continuous run length (in whole feet, 2' minimum) Unit length may affect available options. 2' & 3' only available as individual units For runs longer than 8FT: ALWAYS order the run by the TOTAL RUN LENGTH. Ordering the sections individually will not provide the correct joining hardware to allow connection in the field.	MSL4 4' MSL5 5' MSL6 6' MSL7 7' MSL8 8'	80CRI 80 CRI 90CRI 90 CRI	27K 2700K 30K 3000K 35K 3500K 40K 4000K 50K 5000K	400LMF 400 lumens per FT 600LMF 600 lumens per FT 800LMF 800 lumens per FT 1000LMF 1000 lumens per FT _LMF¹ # lumens per FT	(blank) Standard lambertian distribution WW² Wallwash distributions WG Wall graze distribution WW and WG not available with Downlights, EGLD, LVRR or LVVRA.

Downlight	Downlight Shape	Downlight Color Rendering	Downlight Color Temp	Minimum Dimming Level	Optional Shielding	Voltage
(blank) No Downlight modules in fixture 2DL LED downlights (2 per unit) _DL LED downlights per run (3DL, 4DL, etc.)	(blank) No downlight modules in fixture RDD Round SQD Square	(blank) No downlight modules in fixture S80CRI 80 CRI	(blank) No downlight modules in fixture S27K 2700K S30K 3000K S35K 3500K S40K 4000K	NODIM³ Non-dimming MIN1 Constant current, dimming to 1% DARK Constant current, dimming to 0.1%	(blank) No louver LVRR⁴ Dropped louver LVRR⁶ Regressed louver painted to match fixture finish LVVRA⁶ Regressed louver, aluminum finish EGLD^{4,5} Edge View direct lens Not available with Downlights. Not available with NLTAIR2.	MVOLT Multi-volt, 120-277V 120 120V 277 277V 347⁷ 347V

Must select all Downlight options. Specify number of downlights modules.
Not available on 2' or 3' units.
Not available with 347V.
Maximum of 2DL in 4' & 5' units.

Not available with emergency options.
Not available with 4' unit with DCT.
Not available with any sensors on the same unit.

Finish	Emergency Options	Control Input	Sensor	Secondary Sensor
WHT White (gloss) BLK Black (gloss) SLV Silver (gloss) WHTT White (textured) BLKT Black (textured) SLVT Silver (textured) RALTB RAL paint finishes	E10WLCP⁸ 4' emergency section w/ battery pack, 1250 lumens _E10WLCP⁸ 4' emergency section w/ battery pack, 1250 lumens _EC⁹ # of emergency circuits BGTD^{9,10} Generator transfer device Not available with 347V.	(blank) Non-dimming, line voltage ZT 0-10V control NLIGHT¹¹ nLight enabled NLTAIR2¹² nLight AIR (wireless) enabled DALI^{13,14} DALI compatible DMX^{13,14} DMX compatible ECOD^{14,15} Lutron Hi-Lume digital driver ECOD2^{14,15,16} Lutron Hi-Lume 2-wire (1% dimming) ECOD5^{14,15} Lutron 5-series digital driver (5% dimming)	(blank) Select if single zone/no zone without sensor NS Select if multi-zone fixture with no sensor in main zone PDT¹⁷ Occupancy sensor - dual technology (passive infrared & microphonics) ADC¹⁷ Photocell-daylight dimming sensor API¹⁸ PIR occupancy sensor & photocell APD¹⁸ PDT occupancy sensor & photocell Not available with Downlights. Not available with 347V & nLight. (Use ZT or NLTAIR2 Control Inputs where applicable.) Not available on 2' or 3' units.	(blank) No additional zones/sensors SNS Select if multi-zone fixture with no sensor in secondary zone SPDT¹⁷ Occupancy sensor - dual technology (passive infrared & microphonics) SADC¹⁷ Photocell-daylight dimming sensor SAPI¹⁸ PIR occupancy sensor & photocell SAPD¹⁸ PDT occupancy sensor & photocell Not available with Downlights. Not available with 347V & nLight. (Use ZT or NLTAIR2 Control Inputs where applicable.) Not available on 2' or 3' units.

Tertiary Sensor	Options
(blank) No additional zones/sensors TNS Select if multi-zone fixture with no sensor in tertiary zone	BAA Buy America(n) Compliant GLR¹⁴ Fast-blow fuse GMF¹⁴ Slow-blow fuse WL¹⁴ Wet Location

- Notes:**
- Limited to 350LMF to 1050LMF in 50LMF increments. Not available with ECOD, ECOD2, ECOD5 or DMX control input.
 - Not available with NLTAIR2.
 - Not available with Control Input.
 - Not available with Sensor Options.
 - Not available with Emergency Options
 - Not available with sensors on 2', 3' & 4' units.
 - Not available with ZT & sensors, with NLTAIR2, with emergency options, with NLIGHT in 5' units, with NLIGHT & downlights.
 - Not available with 2' or 3' units. Not available with DMX control option. One battery pack per unit. Only available on 8' unit with ECOD, ECOD2, ECOD5. Not available on 5' unit with NLTAIR. If with ZT & API, APD, or NLTAIR2 only available in 7' & 8' units.
 - Powers entire direct unit. Not available with DMX. Not available on individual units with NLTAIR2.
 - Must select 120 or 277 volt. Remote mounted. Not available with sensor and BGTD in same unit. Not available with DMX.
 - Comes with white CAT5 cord in addition to the standard power cord. Will require remote mounted nIO on 2' unit. One NLIGHT device per zone or sensor, for multiple zones consult factory.
 - Must select MIN1 or DARK Dim Level. Not available with WW option or 2' & 3' units. Not available with WL. If ordered with E10WLCP, only available in 7' & 8' units. One NLTAIR2 device per zone or sensor, for multiple zones consult factory.
 - Must select DARK Dim Level.
 - Not available with 347V.
 - Must select MIN1 Dim Level. Not available on 2', 3' or 5' units.
 - 120V only.
 - Requires ZT or NLIGHT Control Input.
 - Requires ZT, NLIGHT or NLTAIR2 Control Input.