

November 16, 2022

MIDDLETON ASSOCIATES INCORPORATED
1702 W. COLLEGE AVE., SUITE E
NORMAL, IL 61761-2793
309/452-1271 FAX 309/454-8049

ADDENDUM NUMBER 4
TO THE DRAWINGS AND SPECIFICATIONS

PROJECT: Lincoln Central Elementary School Bore Field

FOR: Lincoln Elementary School District No. 27
304 8th Street
Lincoln, IL 62656

A/E PROJECT NO: 25821422A

ISSUE DATE: October 25, 2022

BID OPENING: Thursday, November 17, 2022, 2:00 p.m. prevailing time
304 8th Street, Lincoln, IL 62656

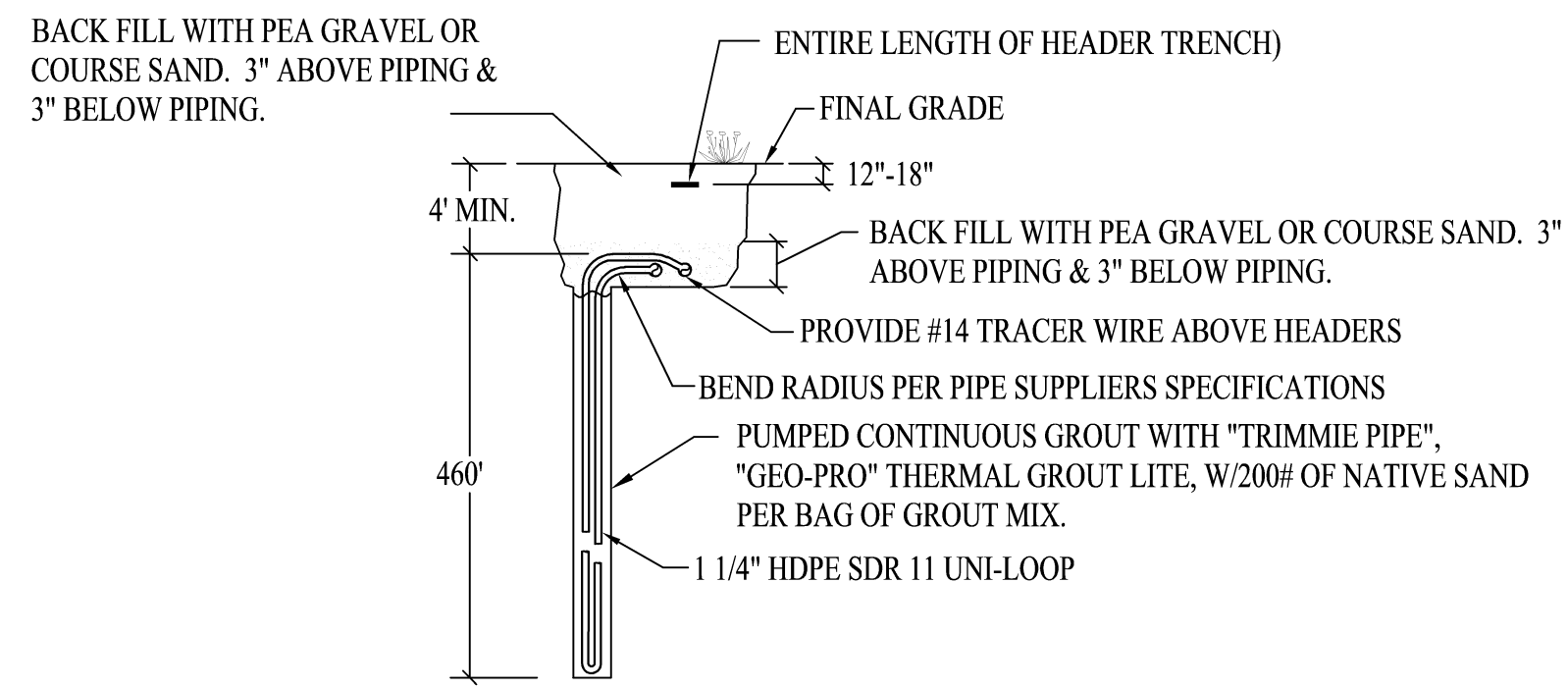
THIS ADDENDUM DOES NOT CHANGE THE BID DATE OR BID TIME.

Upon receipt of this ADDENDUM, insert same into the documents, which were issued to you. Hereafter, said ADDENDUM shall be as much a part of the said documents as though originally set forth therein. THIS ADDENDUM DOES NOT CHANGE THE BID DATE.

6. TO THE DRAWINGS; Sheet MS.1: Revised the purge pit detail.

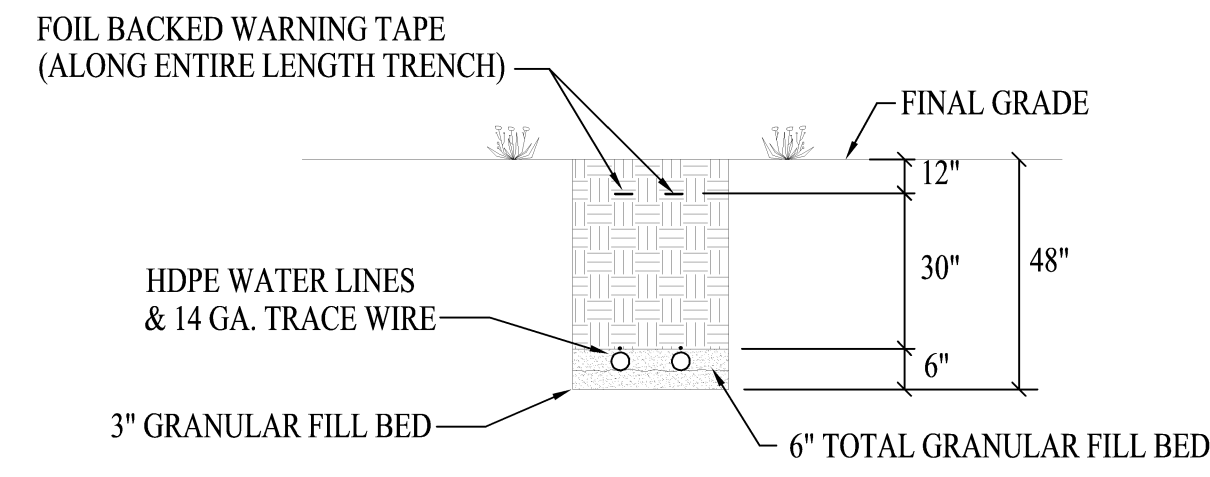
Attachment: Sheet MS.1

END ADDENDUM NO. 4



02 VERTICAL U-BEND WELL DETAIL

SCALE: NONE

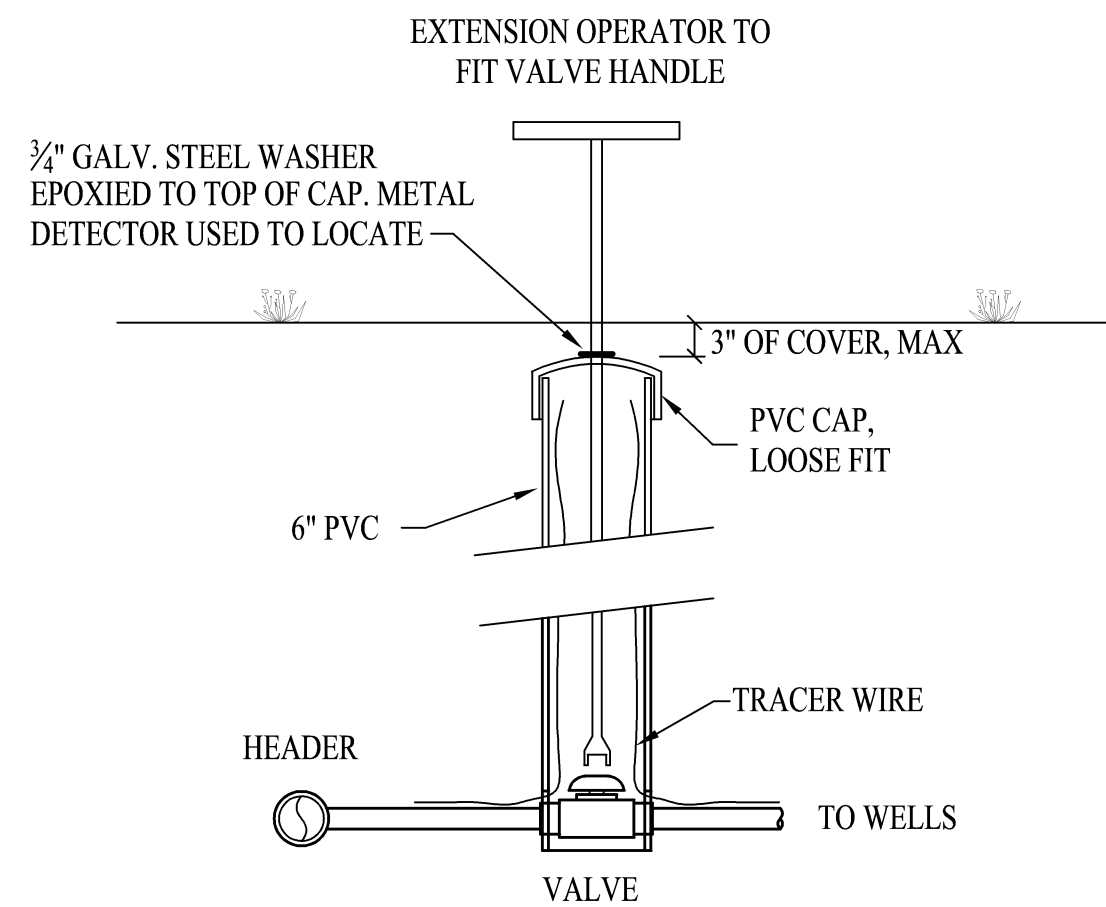


NOTE:

ALL NON-METAL LINES TO BE TRACED WITH 14 GA. WIRE (TYPICAL). TERMINATE WIRE AT ACCESSABLE VALVE PIT.

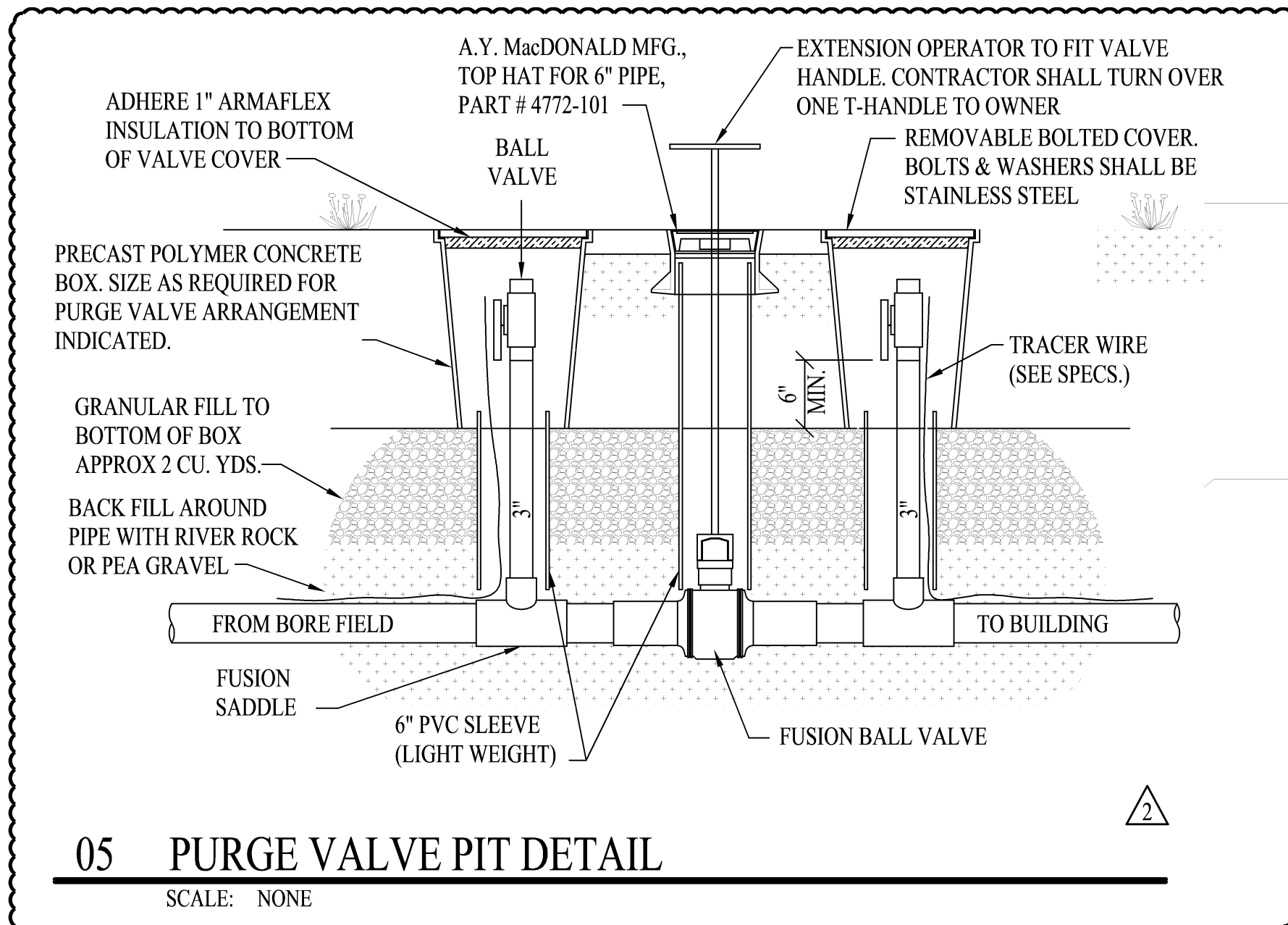
03 SECTION DETAIL

SCALE: NONE



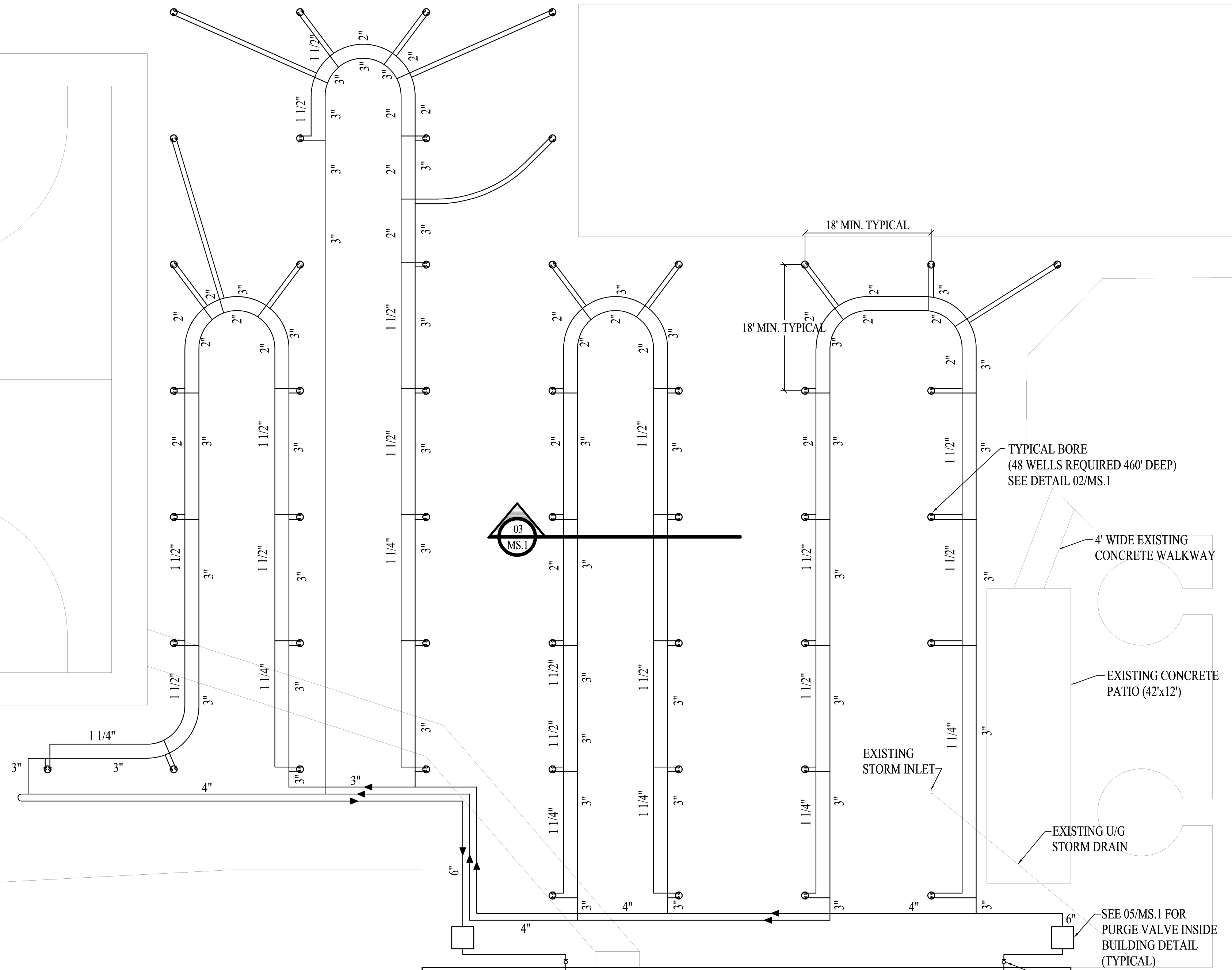
04 WELL FIELD ISOLATION VALVE DETAIL

SCALE: NONE



05 PURGE VALVE PIT DETAIL

SCALE: NONE



Purge Circuits	2.00
Calc Purge Volume	216.74 gpm
Purge Head	21.91 Ft
Purge Valve Size	3.00
System Flow	300 GPM
Loopfield Design PD	18.1 FT
Well field volume	565 ft ³
Glycol Mat'	795 Gallons

NOTE:

- COORDINATE ALL BORE LOCATIONS WITH ALL ONSITE UTILITIES WITH MIN. OF 50' FROM UNSEALED SANITARY SEWER PIPING (10' FROM SEALED PIPING SYSTEMS). COMPLY WITH ANY ADDITIONAL LOCAL OR STATE REQUIREMENTS.

01 SITE PLAN

SCALE: 1"=10'-0"

BOREFIELD RE CONFIGURED

NO.	DATE	REVISIONS	REMARKS
1	11-09-2022	ADDENDUM #1	
2	11-15-2022	ENGINEER SUPPLEMENTAL	

THE CONTRACTOR SHALL VERIFY CONDITIONS & DIMENSIONS ON THE JOB. INFORMATION SHOWN ON ANY PART OF THE DRAWINGS SHALL APPLY TO THE WORK UNLESS SET FORTH OTHERWISE.