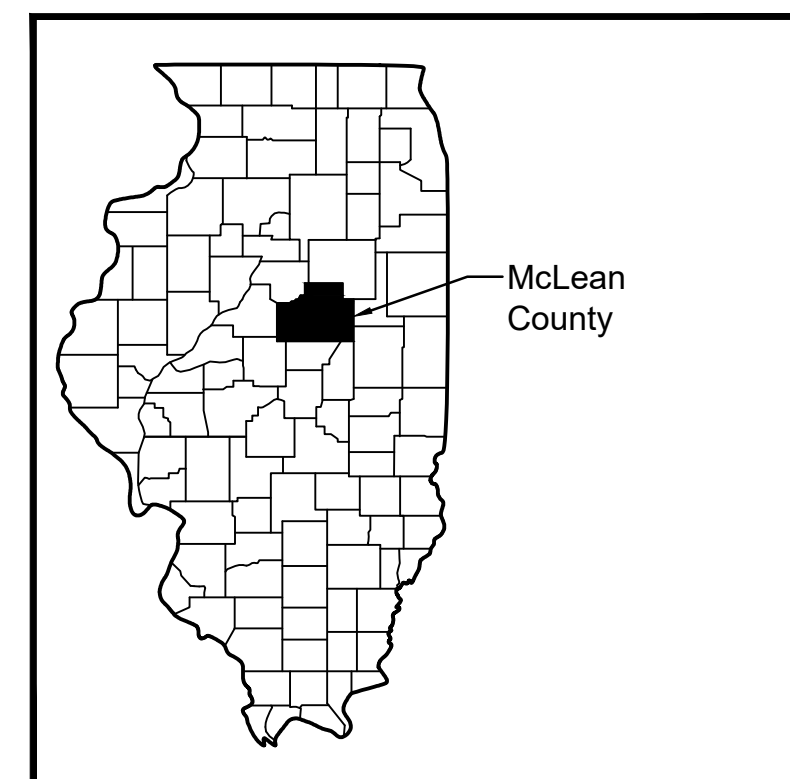
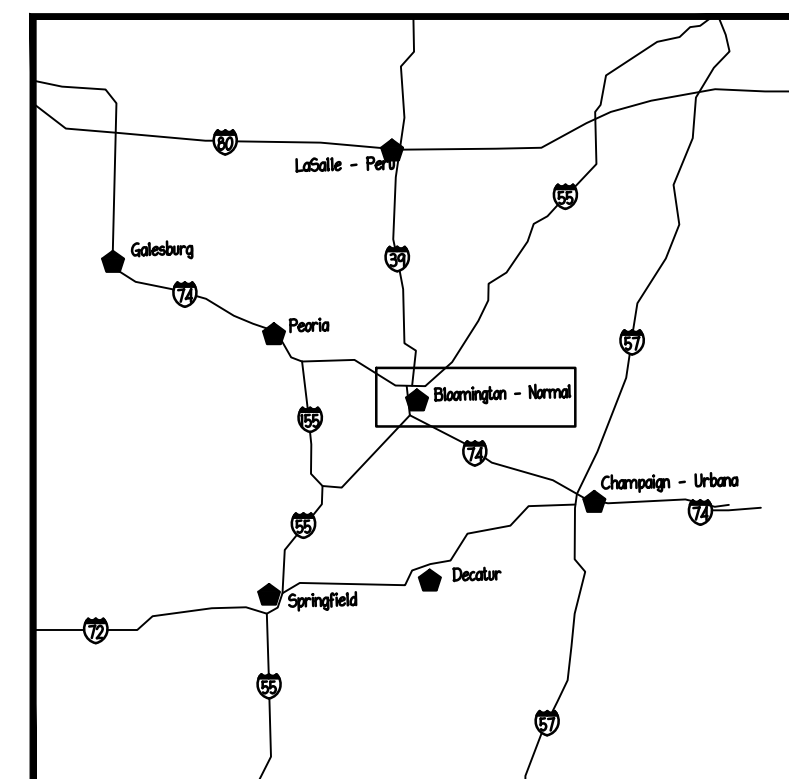


# CHIDDIX JUNIOR HIGH SCHOOL BORE FIELD

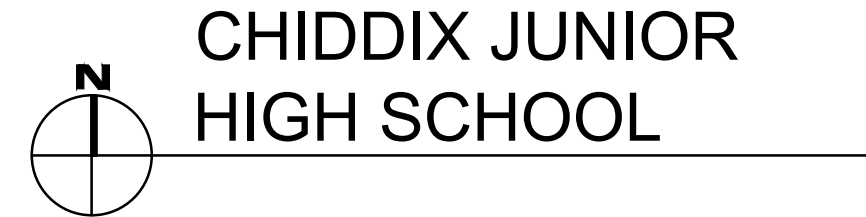
300 S. WALNUT STREET - NORMAL, IL 61761  
FOR McLean County Unit District No. 5  
Unit District Office 1809 W. Hovey Ave.  
Normal, Illinois 61761-4339



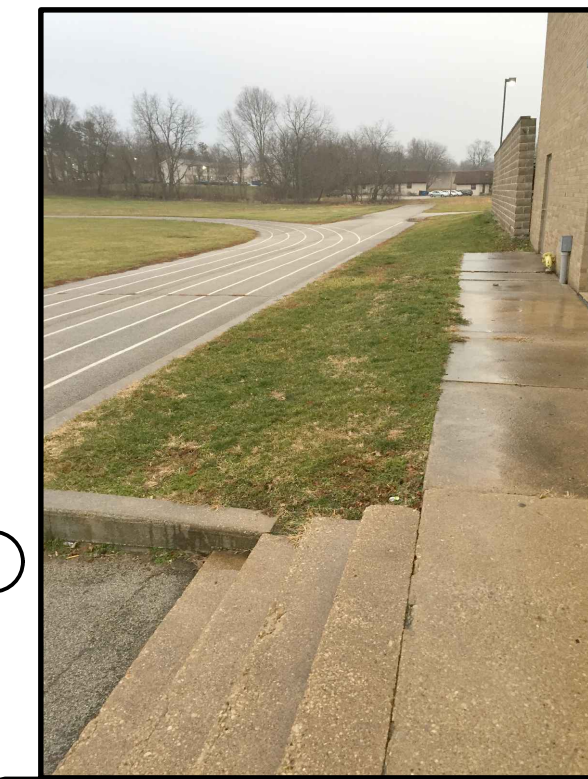
Illinois Counties Scale: Not to Scale



Regional Map



CHIDDIX JUNIOR HIGH SCHOOL  
BORE FIELD  
PHOTO GALLERY



BORE FIELD (1)

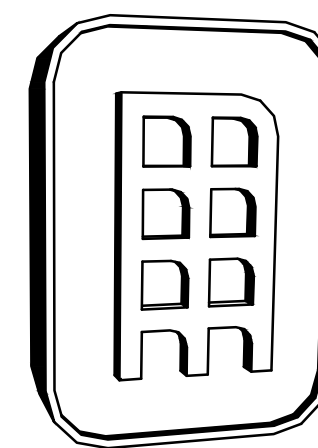
SHEET INDEX	
SHEET	DESCRIPTION
T1.0	TITLE SHEET - JOB INFORMATION - JOB LOCATION
M0.1	BOREFIELD SITE LAYOUT
M0.2	BOREFIELD SITE LAYOUT

I HEREBY CERTIFY THAT THE PLANS AND SPECIFICATIONS DATED JANUARY 11, 2021, BORE FIELD - AT CHIDDIX JUNIOR HIGH SCHOOL 300 S. WALNUT STREET, NORMAL, IL 61761 FOR MCLEAN COUNTY UNIT SCHOOL DISTRICT NO. 5, UNIT DISTRICT OFFICE 1809 W. HOVEY AVE., NORMAL, ILLINOIS 61761-4339 WERE PREPARED WITH MY SUPERVISION USING BOCA BUILDING CODE & ILLINOIS ADMINISTRATIVE CODE 185 AND TO THE BEST OF MY KNOWLEDGE, COMPLY WITH THE HEALTH/LIFE SAFETY CODE AS PREPARED AND PROVIDED BY THE STATE OF ILLINOIS BOARD OF EDUCATION. I HAVE PREPARED, OR CAUSED TO BE PREPARED UNDER MY DIRECT SUPERVISION, THE ATTACHED PLANS AND SPECIFICATIONS AND STATE THAT TO THE BEST OF MY KNOWLEDGE AND BELIEF AND TO THE EXTENT OF MY CONTRACTUAL OBLIGATION, THEY COMPLY WITH THE ENVIRONMENTAL BARRIERS ACT (ILL. REV. STAT. 1985, CH. III-1/2, PARS. 3711 ET. SEQ. AS AMENDED) AND THE ILLINOIS ACCESSIBILITY CODE, 71 ILLINOIS ADMINISTRATIVE CODE 400.

*Randall Middleton*  
RANDALL MIDDLETON 001-007938 EXPIRES: 30 NOVEMBER, 2022  
MIDDLETON ASSOCIATES INCORPORATED

PROJECT NOTE: ALL NEW MATERIALS EMPLOYED IN THE WORK SHALL BE ASBESTOS FREE AND PCB FREE. CONTRACTOR SHALL SUBMIT CERTIFICATION OF SUSPECT ITEMS UPON REQUEST, AND FOR THE OVERALL PROJECT AT THE CONCLUSION OF THE WORK.

MIDDLETON ASSOCIATES INCORPORATED  
ARCHITECTURAL SERVICES  
1702 W. COLLEGE AVE.-STE 'E' NORMAL, IL 61761-2793  
PHONE (309) 452-1271 FAX (309) 454-8049  
http://www.middletonassociates.net middleton@middletonassociates.net



**MIDDLETON ASSOCIATES - INC ARCHITECT**  
1702 W. College Ave. Suite E Normal, IL 61761-2793  
p: 309.452.1271 f: 309.454.8049  
middletonassociates.net

State of Illinois Professional Design Firm Number 184.000267

**KLINGNER & ASSOCIATES, P.C.**  
Engineers • Architects • Surveyors  
616 N. 24th St., Quincy, IL 62301  
(217) 223-3070 | www.klingner.com

**MMEA ENGINEERS**  
MID MO ENGINEERING ALLIANCE, INC  
202 EASTLAND DRIVE JEFFERSON, IL 62301  
Phone: 618-436-2116  
Design Firm Registration #184.007967-0002

CHIDDIX J.H.S. BORE FIELD  
at 300 S. Walnut Street - Normal, Illinois 61761  
for McLEAN COUNTY UNIT DISTRICT NO.5  
Unit District Office - 1809 West Hovey Avenue  
Normal, Illinois 61761-4339



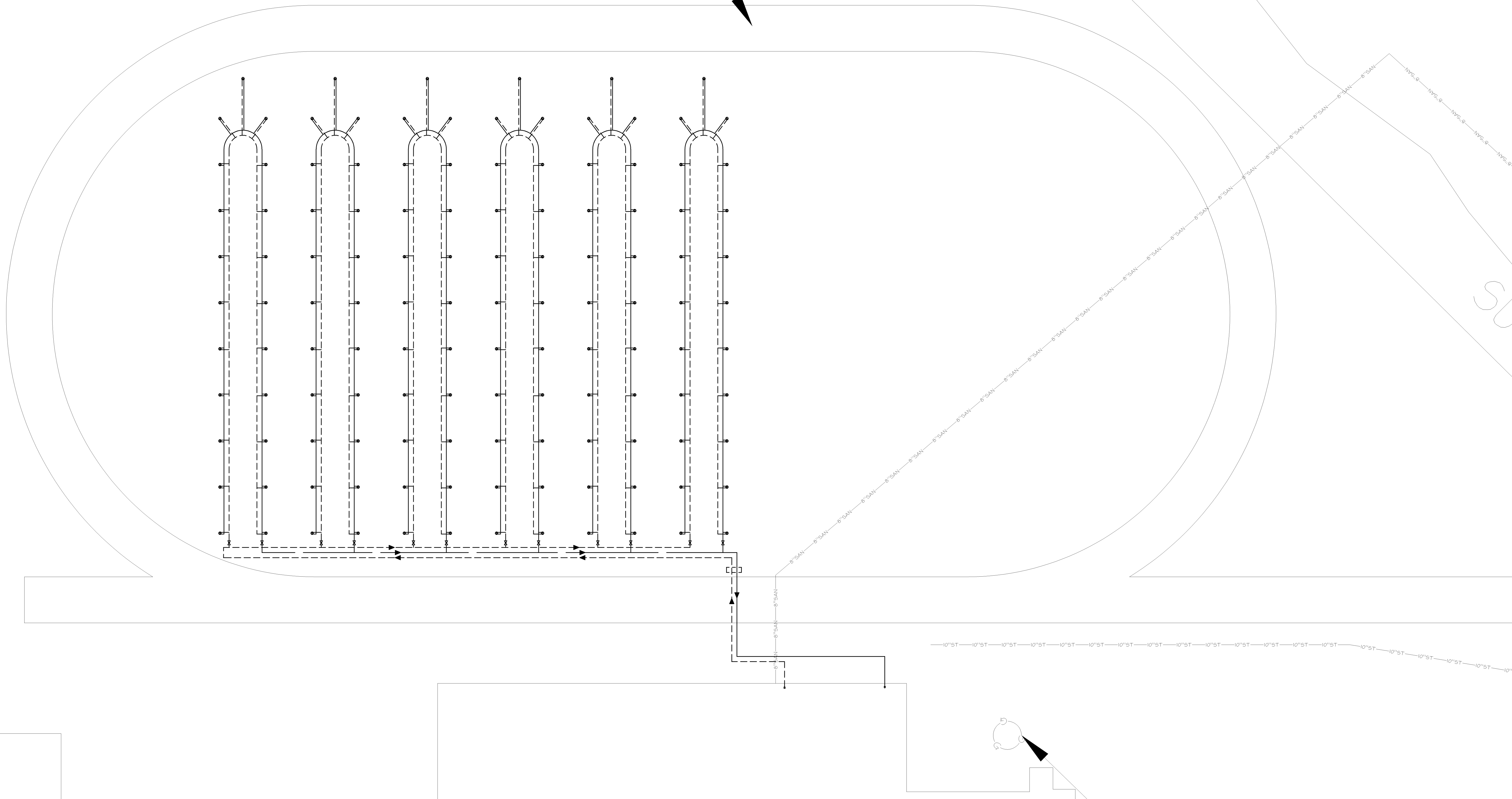
*Randall Middleton*

NO.	DATE	REVISIONS	REMARKS

THE CONTRACTOR SHALL VERIFY CONDITIONS & DIMENSIONS ON THE JOB. INFORMATION SHOWN ON ANY PART OF THE DRAWINGS SHALL APPLY IN THE WORK UNLESS SET FORTH OTHERWISE.

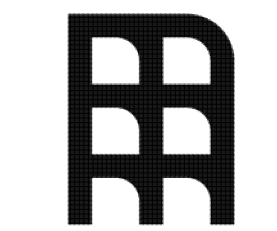
PROJECT NO. 23462320  
ISSUE DATE JANUARY 11, 2021  
SHEET T1.0  
OF 3 SHEETS

TRACK



01 BOREFIELD SITE LAYOUT

SCALE: 1"=20'-0"



**MIDDLETON ASSOCIATES, INC.**  
ARCHITECTS  
1702 W. College Ave.  
Suite E  
Normal, IL 61761-2793  
p: 309.452.1271  
f: 309.454.8049  
middletonassociates.net

State of Illinois Professional  
Design Firm Number  
184.000267



**MMEA ENGINEERS**  
MID-MO ENGINEERING ALLIANCE, INC.  
203 EAST AND DRIVE  
JEFFERSON CITY, MISSOURI 65901  
JEFFERSON CITY, MISSOURI 65901  
Design Firm Registration #64407967-0002

CHIDDIX JUNIOR HIGH  
at 300 South Walnut Street - Normal, Illinois 61761  
for McLEAN COUNTY UNIT DISTRICT NO.5  
Unit District Office - 1809 West Hovey Avenue  
Normal, Illinois 61761-4399

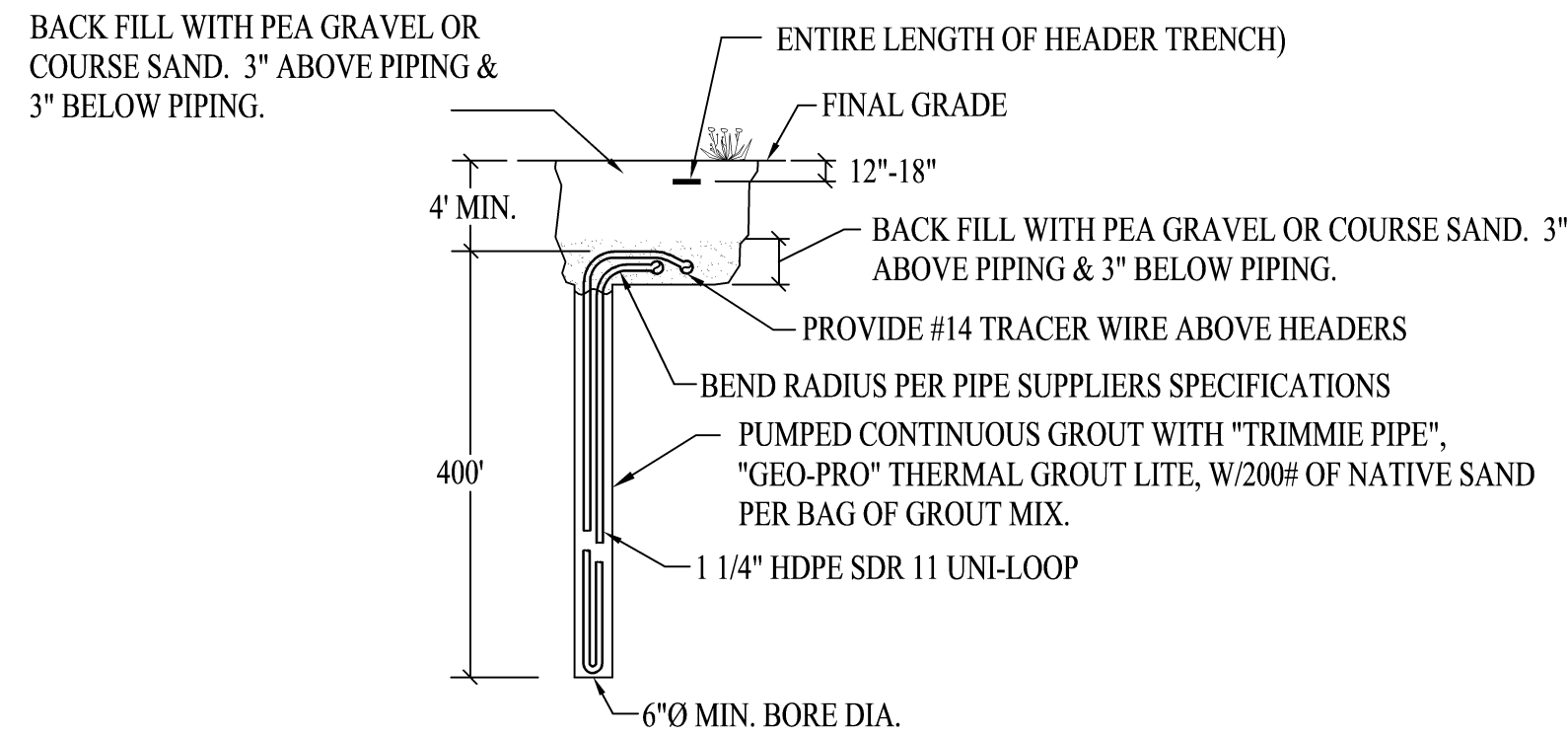


Signed 01/08/2021  
Expires 11/30/2021

WAYNE A. STROPE  
062.068121

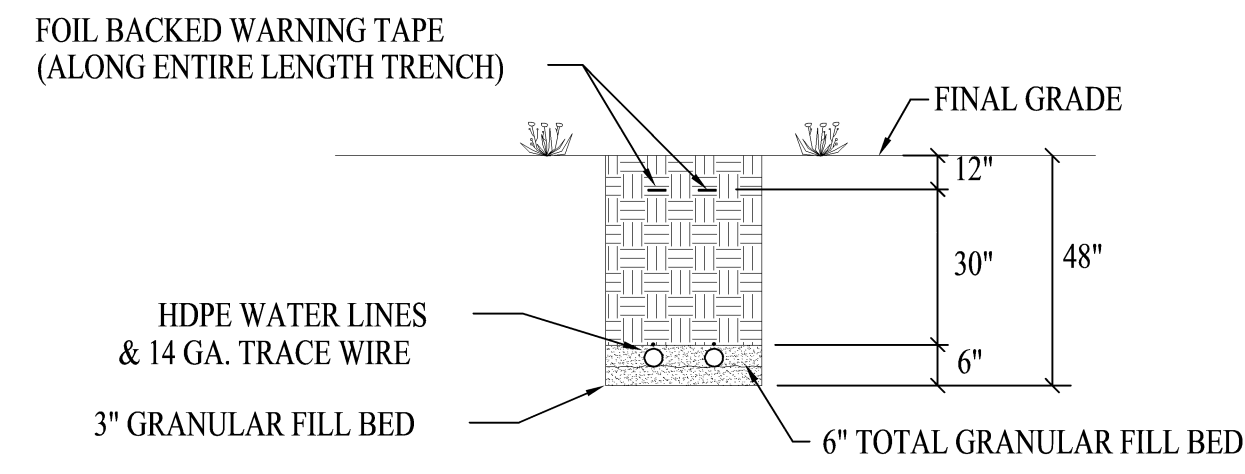
NO.	DATE	REVISIONS	REMARKS
<p>THE CONTRACTOR SHALL VERIFY CONDITIONS &amp; DIMENSIONS ON THE JOB. INFORMATION SHOWN ON ANY PART OF THE DRAWINGS SHALL APPLY TO THE WORK UNLESS SET FORTH OTHERWISE.</p>			

PROJECT NO.  
23472320  
ISSUE DATE  
01-11-2021  
SHEET  
**M0.1**  
OF SHEETS



**02 VERTICAL U-BEND WELL DETAIL**

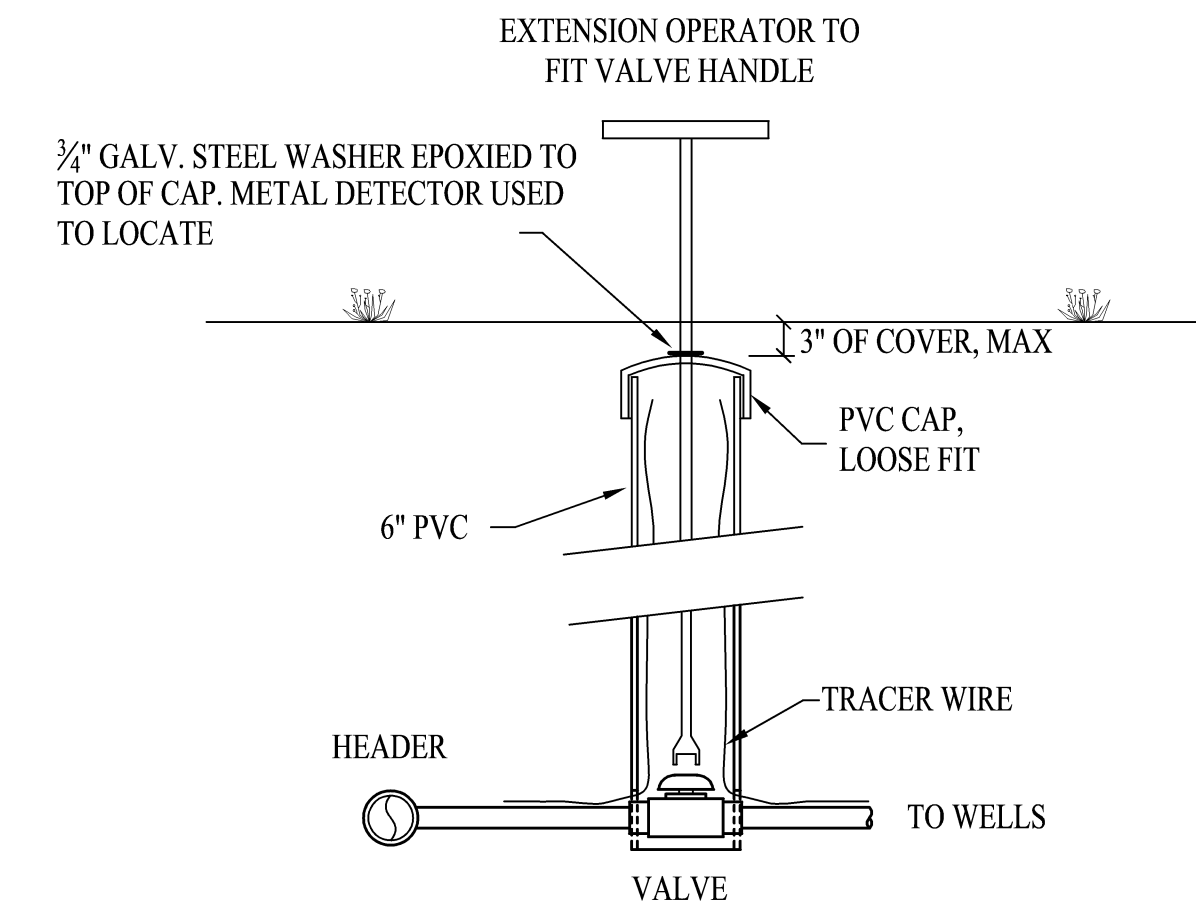
SCALE: NONE



**03 SECTION DETAIL**

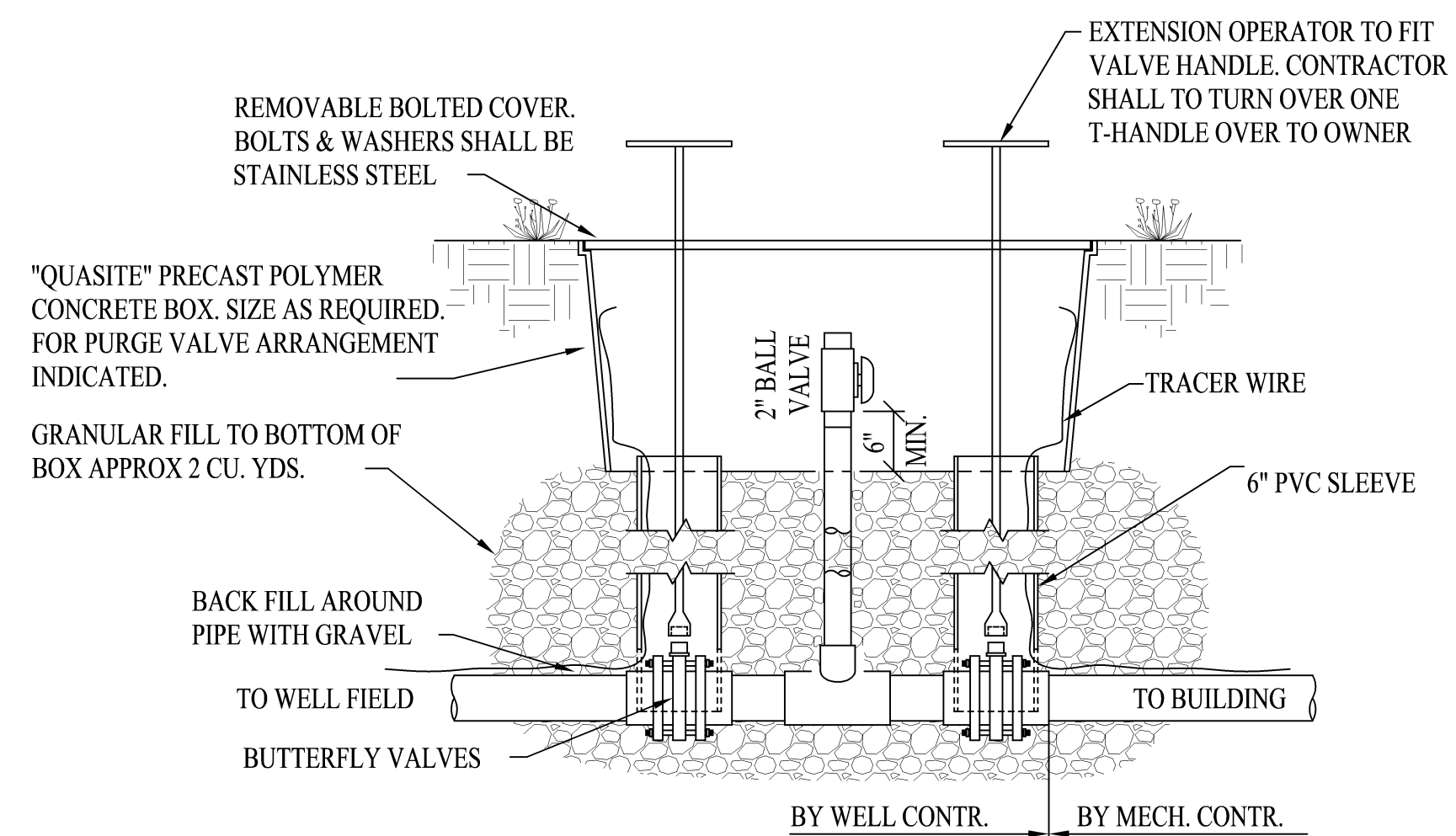
SCALE: NONE

NOTE:  
ALL NON-METAL LINES TO BE TRACED WITH 14 GA. WIRE (TYPICAL). TERMINATE WIRE AT ACCESSABLE VALVE PIT.



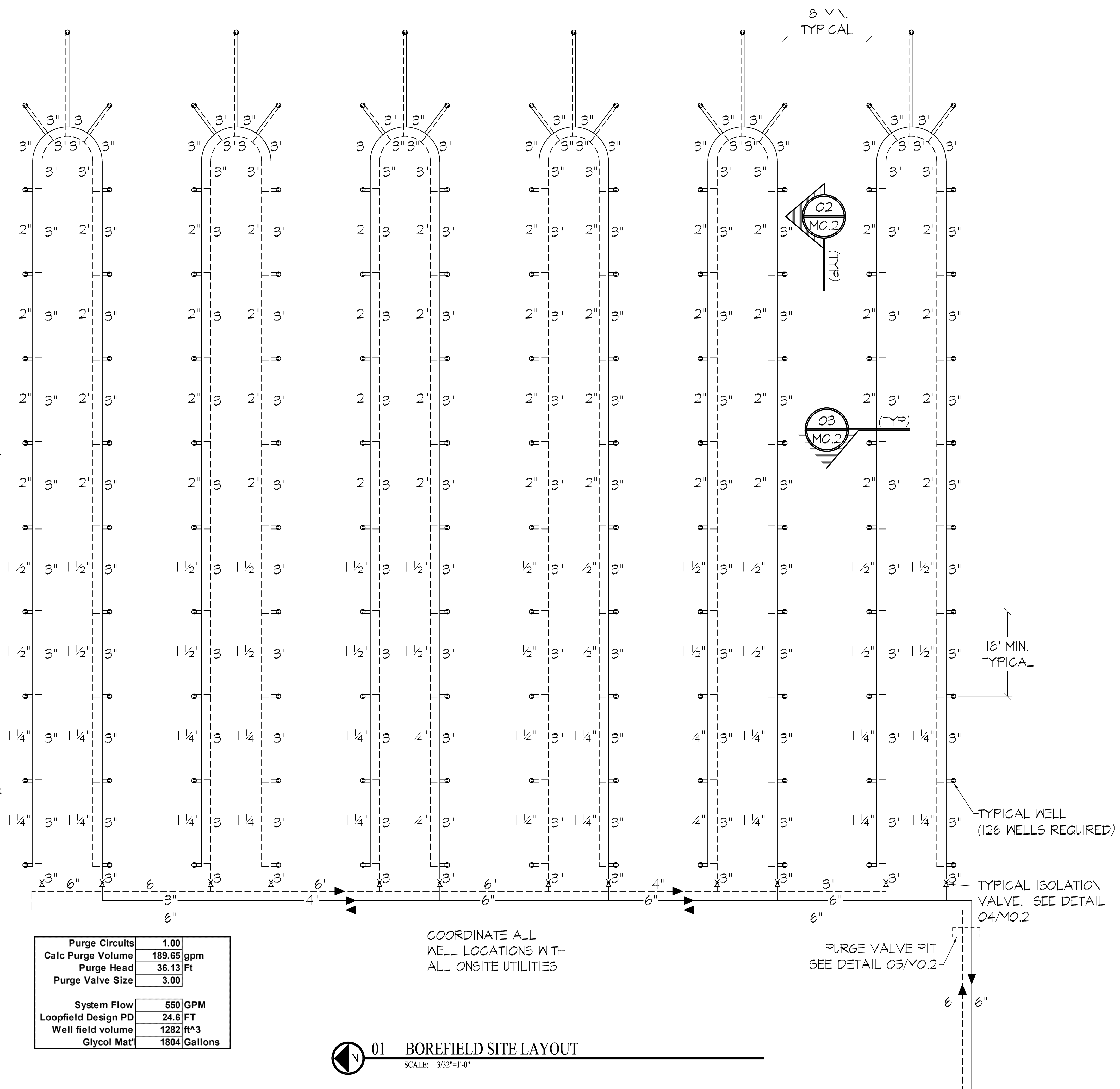
**04 WELL FIELD ISOLATION VALVE DETAIL**

SCALE: NONE



**05 PURGE VALVE PIT DETAIL**

SCALE: NONE



Purge Circuits	1.00
Calc Purge Volume	189.65 gpm
Purge Head	36.13 Ft
Purge Valve Size	3.00
System Flow	550 GPM
Loopfield Design PD	24.6 FT
Well field volume	1282 ft <sup>3</sup>
Glycol Mat	1804 Gallons

COORDINATE ALL WELL LOCATIONS WITH ALL ONSITE UTILITIES

PURGE VALVE PIT SEE DETAIL 05/MO.2

TYPICAL WELL (126 WELLS REQUIRED)

TYPICAL ISOLATION VALVE. SEE DETAIL 04/MO.2

**01 BOREFIELD SITE LAYOUT**

SCALE: 3/32"=1'-0"

NO.	DATE	REVISIONS	REMARKS

THE CONTRACTOR SHALL VERIFY CONDITIONS & DIMENSIONS ON THE JOB. INFORMATION SHOWN ON ANY PART OF THESE DRAWINGS SHALL APPLY TO THE WORK UNLESS SET FORTH OTHERWISE.